

# MI-1486

IP / 640 x 480 Pixel / Motion Derection

## 1/4" CCD IP Snake Camera

### Specification

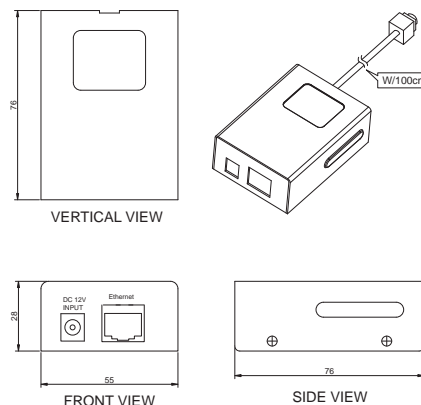
CCD IP SNAKE CAMERA	
Model.	MI-1486
Power	
Supply	DC12V , 1.2A
Consumption	-3 Watts
Networking	
Connectivity	10/100 Ethernet
Protocols	SMTP,FTP,DHCP,HTTP
Internet	Built-in HTTP Web server, DHCP Client
Event Controls	
Trigger Source	Motion Detection
Alarm Notifications	FTP/Mail motion image, Message
Video Input	
Signal	Composite 1.0 Vp-p at 75ohm
Standard	NTSC/PAL Auto trigger source
Sensor	1/4" CCD Image Sensor
Image	
Compression	JPEG/MJPEG
Bandwidth Control	Frame Rate Controls
Format	NTSC - 640x480 / 320x240 / 160x120 PAL - 640x480 / 352x288 /176x144
Format Rate	25fps@320x240 20fps@352x288
Quality	5 Level image Quality
Image adjustments	Brightness / Saturation / Contrast / Hue
Security Controls	
Access Controls	Administrative / User Level Password Protection
Configuration	HTTP Port configurable
Log	Historical Access Log Management
Operation Environment	
Temperature	5~50 Degree C (45~125 Degree F)
Humidity	20%~80%
LED Indications	Power, Network
Dimension	76(W)x55(H)x28(L) mm
Remote Viewing	Windows 98/2000/XP IE5.X or above
Lens	
Built-in Lens	3.7mm/F2.0
Cable	100 flexible cable between the mini lens and the IP CAM

### CCD IP Snake Camera



MI-1486

### Dimensions

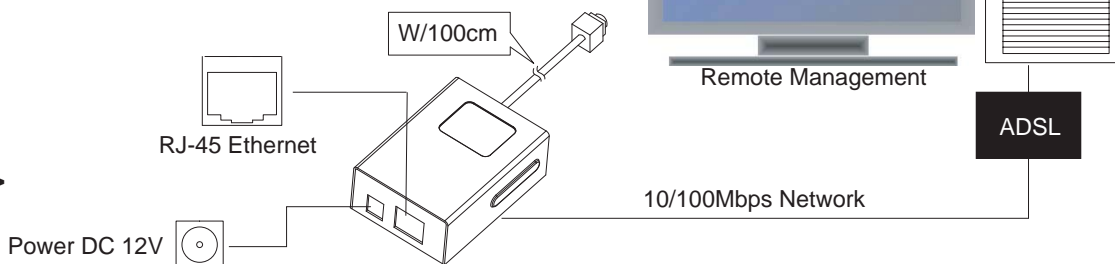


Unit: mm (Approx)

Other angle lens please inquire for details.

### Feature

- NETWORK IP CAMERA.
- CPU : 32 Bits RISC processor. 64Mb SDRAM
- Linux OS.
- TCP/IP network remote Video transmission system.
- Built-in Web sever.
- Built-in DHCP Client.
- Built-in Motion Detection.



E-mail : [service@multitek.com.tw](mailto:service@multitek.com.tw)

Web : [www.multitek.com.tw](http://www.multitek.com.tw)